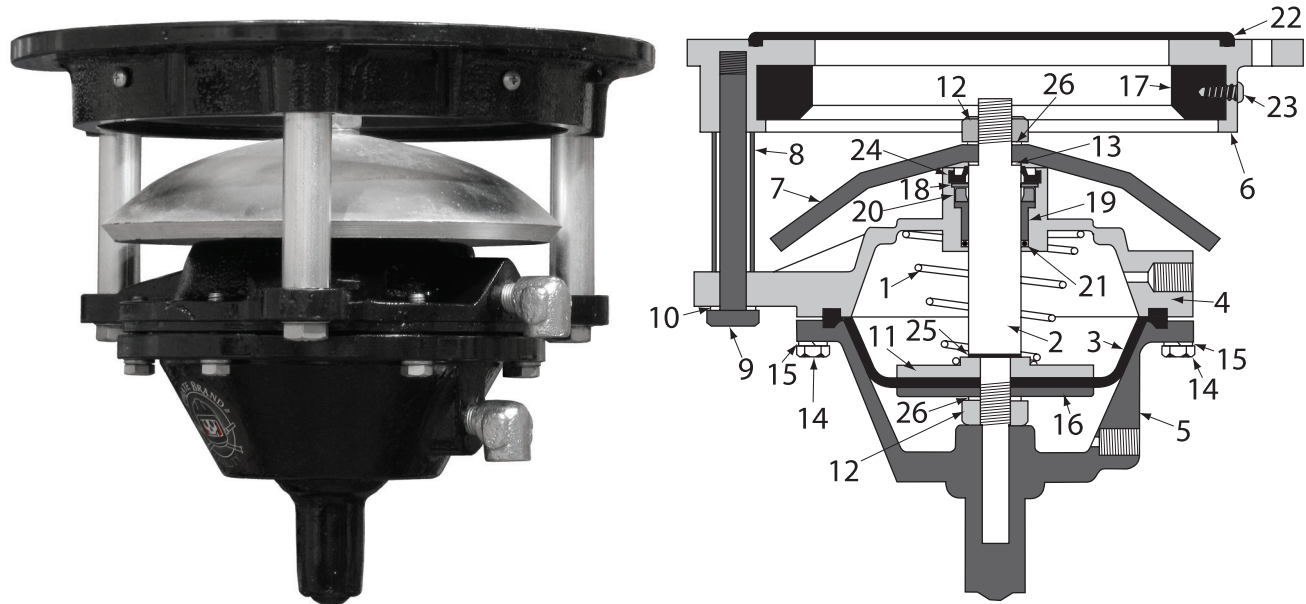




ASSEMBLY INSTRUCTIONS

Double Seal Posi Seal Valve



Double Seal Posi Seal Valve

	888-2100-022PB	VALVE, POSI SEAL, DOUBLE SEAL, COMPLETE
	888-2100-02299PB	VALVE, POSI SEAL, DOUBLE SEAL, REPAIR KIT INCLUDES # 3, 17, 20, 21, 22, 24 & 25
1	888-2100-02201PB	VALVE, POSI SEAL, DOUBLE SEAL, SPRING
2	888-2100-02202PB	VALVE, POSI SEAL, DOUBLE SEAL, VALVE STEM
3	888-2100-02203PB	VALVE, POSI SEAL, DOUBLE SEAL, DIAPHRAGM
4	888-2100-02204PB	VALVE, POSI SEAL, DOUBLE SEAL, UPPER BODY
5	888-2100-02205PB	VALVE, POSI SEAL, DOUBLE SEAL, LOWER BODY
6	888-2100-02206PB	VALVE, POSI SEAL, DOUBLE SEAL, SEAT RETAINER RING
7	888-2100-02207PB	VALVE, POSI SEAL, DOUBLE SEAL, VALVE PLUG
8	888-2100-02208PB	VALVE, POSI SEAL, DOUBLE SEAL, SPACER
9	888-7010-51165PB	VALVE, POSI SEAL, DOUBLE SEAL, BOLT, 1/2" UNC
10	888-7028-504PB	VALVE, POSI SEAL, DOUBLE SEAL, WASHER, LOCK, 1/2"
11	888-2100-02209PB	VALVE, POSI SEAL, DOUBLE SEAL, DIAPHRAGM PLATE
12	888-7017-515PB	VALVE, POSI SEAL, DOUBLE SEAL, NUT, 5/8"
13	888-7027-50401PB	VALVE, POSI SEAL, DOUBLE SEAL, WASHER, FLAT, 5/8"
14	888-7010-50507PB	VALVE, POSI SEAL, DOULBE SEAL, BOLT 5/16"
15	888-7028-551PB	VALVE, POSI SEAL, DOUBLE SEAL, WASHER, LOCK, 5/16"
16	888-2100-02220PB	VALVE, POSI SEAL, DOUBLE SEAL, DIAPHRAGM BTM PLATE
17	888-2100-02216PB	VALVE, POSI SEAL, DOUBLE SEAL, SEAT, URETHANE
18	888-2100-02210PB	VALVE, POSI SEAL, DOUBLE SEAL, SNAP RING
19	888-2100-02211PB	VALVE, POSI SEAL, DOUBLE SEAL, STEM SLEEVE, BRASS
20	888-2100-02212PB	VALVE, POSI SEAL, DOUBLE SEAL, ROD WIPER SEAL
21	888-2100-02224PB	VALVE, POSI SEAL, DOUBLE SEAL, O-RING, VALVE SEAT
22	888-2100-02213PB	VALVE, POSI SEAL, DOUBLE SEAL, O-RING
23	888-7024-50105PB	VALVE, POSI SEAL, DOUBLE SEAL, SHT METAL SCREW
24	888-2100-02225PB	VALVE, POSI SEAL, DOUBLE SEAL, UPPER WIPER SEAL
25	888-2100-02226PB	VALVE, POSI SEAL, DOUBLE SEAL, O-RING
26	888-2100-02227PB	VALVE, POSI SEAL, DOUBLE SEAL, LOCK WASHER 5/8"